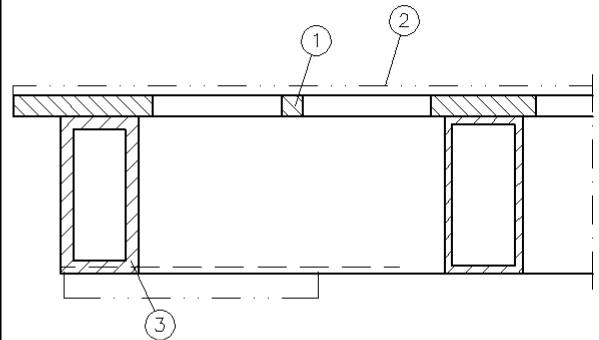
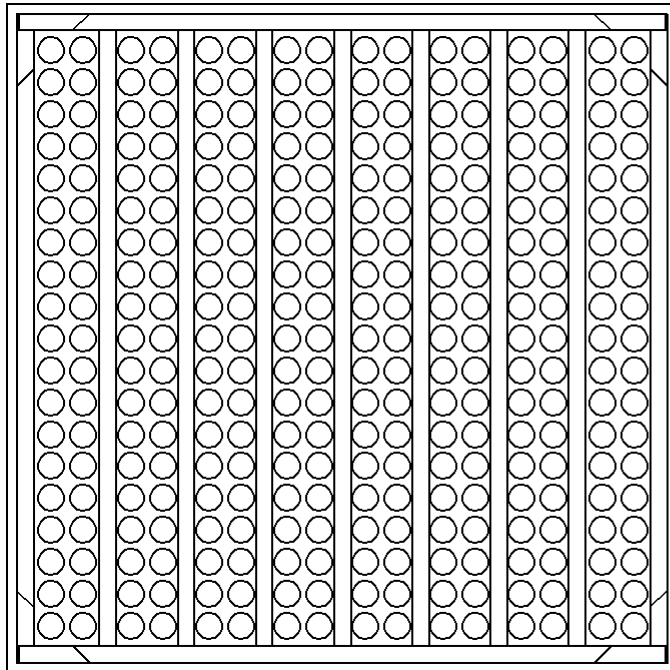


Product data sheet

Type 3 LPL 40-FR25-5 with  
airflow control FQ 40%

P529205

**System sketch:**



- 1 perforated steel sheet
- 2 floor covering
- 3 load bearing tube construction

**Panel:**

Dimensions: 600 x 600 mm  
 Panel thickness: ~ 31 mm  
 Panel weight: ~ 19,5 kg (with covering)  
 Panel material: Steel, conductive powder coated  
 Covering: HPL Walkprint 577 0,9 mm

**Air conditioning data:**

Perforation: 304 circular holes  
 Free airflow: 40 % (circular holes  $\varnothing$  24,2 mm)  
 Damper: 0-40 % with airflow control

**Load values:\***

Point load - bearing strength acc. to DIN EN 12825: 4.500 N  
 Test of the bearing strength on massive steel cylinder supports  
 Deflection:  $\leq$  2,0 mm

**Electrostatic: (DIN EN 1081; DIN 54345)**

Depending on floor covering:  $> 10^9 - < 10^{10}$  Ohm

**Fire protection: (DIN 4102)**

Building material class: A1

\* The load values are depending on the test conditions, decisive is the mock-up and the size of indenter.

**ACRA – Floors & More**

**John Minehane**  
 +353 86 85 87 398

[john@acraltd.ie](mailto:john@acraltd.ie)  
[www.acraltd.ie](http://www.acraltd.ie)

Product data sheet

Type 3 LPL 40-FR25-5 with  
airflow control FQ 40%

P529205

**Volume pressure**  
**Air conditioning panel 40% with and without airflow control (AC)**

