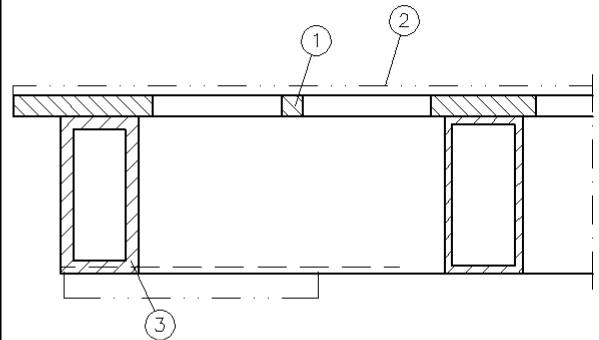
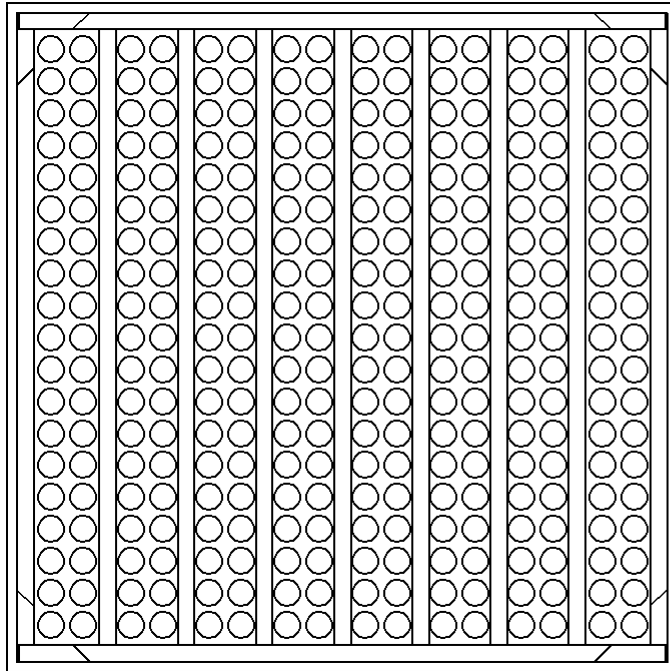


Product data sheet

Type LPL 40-RR30-4

Air conditioning panels

**System sketch:**



- 1 perforated steel sheet
- 2 floor covering
- 3 load bearing tube construction

**Panel:**

Dimensions: 600 x 600 mm  
 Panel thickness: Depending on floor system  
 Panel weight: ~ 14,3 kg (without covering)  
 Panel material: Steel, conductive powder coated

**Air conditioning data:**

Perforation: 304 circular holes  
 Free airflow: ~ 40 % (circular holes  $\varnothing$  ~ 24,2 mm)  
 Air volume: ~ 1.700 m<sup>3</sup>/h per panel at pressure drop of 10 Pa possible  
 Damper:

**Load values:\***

Concentrated load: 6.000 N  
 Tested acc. to DIN EN 12825: Class 6

**Electrostatic: (DIN EN 1081; DIN 54345)**

Depending on floor covering  $R_2$  or  $R_{EF} > 10^5$  Ohm

**Fire protection: (DIN 4102)**

Building material class: A1

\* The load values are depending on the test conditions, decisive is the mock-up and the size of the pressure stamp.

**Volume pressure**  
**Air conditioning panel ~ 40% with and without airflow control (AC)**

